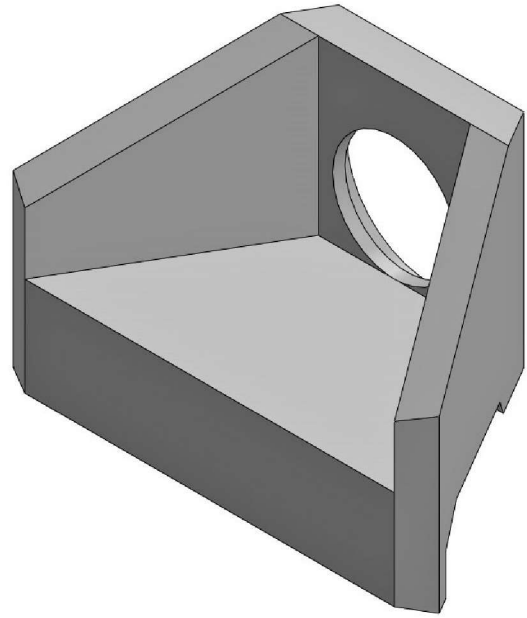


**8" - 24" PIPE**



**30" - 72" PIPE**

Pipe Size	A	B	C	D	Weight
8"	4'-0"	3'-6"	2'-6"	2'-7"	2,366 #
12"	4'-0"	3'-6"	2'-6"	2'-7"	2,249 #
15"	4'-9"	4'-0"	2'-9"	2'-10"	2,865 #
18"	5'-3"	4'-8"	3'-0"	3'-1 1/2"	3,815 #
24"	6'-6"	5'-6"	3'-6"	3'-8"	5,203 #
30"	8'-8"	4'-6"	3'-9"	4'-6"	6,907 #
36"	9'-10"	5'-1"	4'-4"	5'-0"	8,883 #
42"	12'-4"	6'-3"	5'-6"	6'-2"	13,825 #
48"	12'-4"	6'-3"	5'-6"	6'-2"	13,380 #
54"	15'-7"	7'-7"	6'-10 1/2"	7'-5"	21,070 #
60"	15'-7"	7'-7"	6'-10 1/2"	7'-5"	20,569 #
66"	18'-1"	8'-11"	7'-9"	8'-8"	29,950 #
72"	18'-1"	8'-11"	7'-9"	8'-8"	29,275 #

**NOTE: S&M STANDARD BACK RECESS ACCEPTS ANY PIPE TYPE FOR THE GIVEN SIZE**



"NPCA" CERTIFIED PLANT  
 16700 SIMA GRAY RD, HENRYVILLE, IN 47126  
 Phone: (812) 246-6258 Fax: (812) 294-4862

**SPECIFICATIONS**

CONCRETE: 4500 PSI @ 28 DAYS  
 REINFORCEMENT: ASTM A-615, GR 60  
 REF: KYTC DRAWING # RDH-020-03 & RDH-110-02

WEIGHT: See Chart

**SLOPED & FLARED  
 HEADWALL  
 8" - 72" PIPE**

DATE: 5-12-20

DWG #HW-SF-8-72