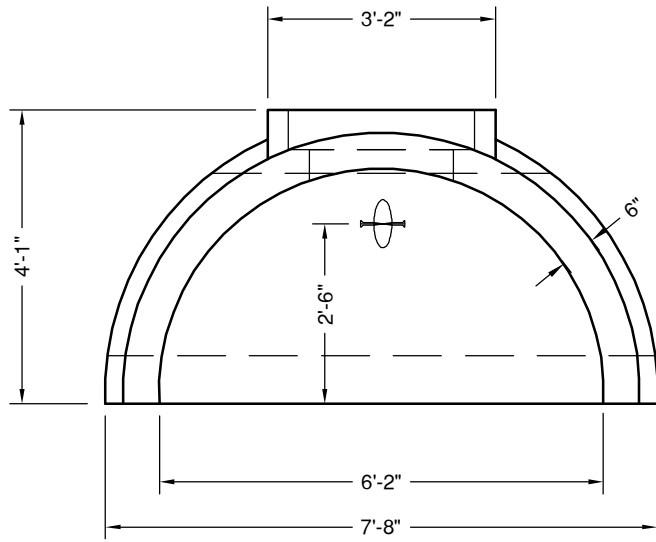
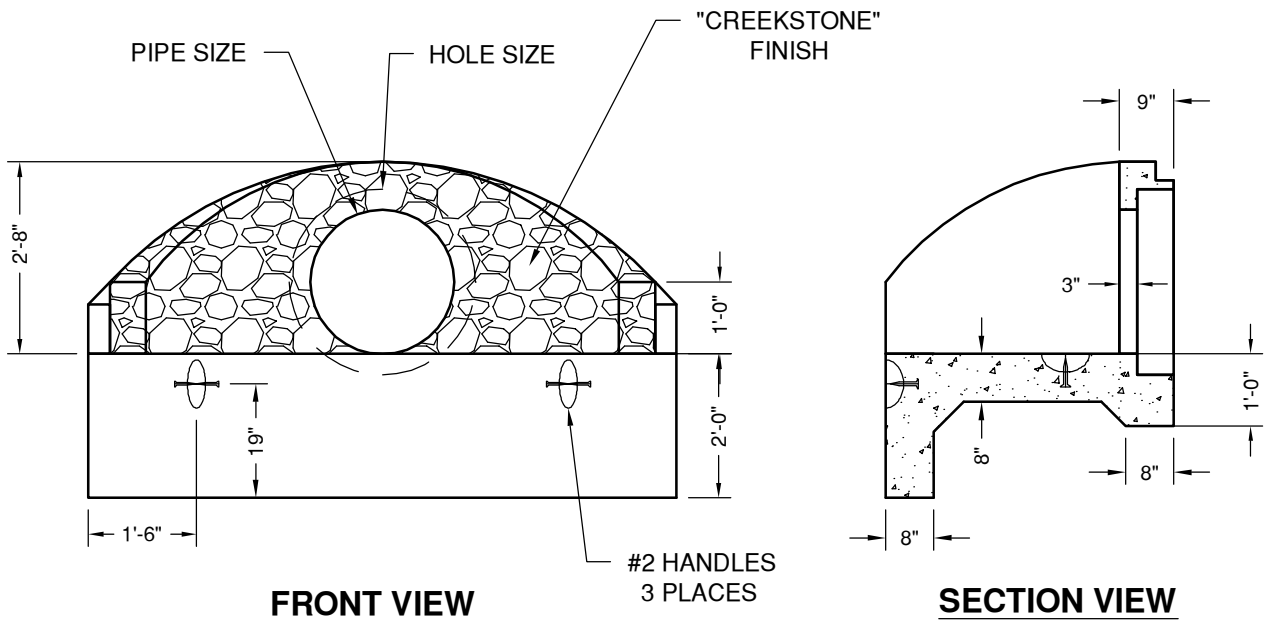


Pipe Size	Hole Size	Weight
12"	20"	6,395#
15"	24"	6,300#
18"	27"	6,213#
24"	31"	6,044#

NOTE: IF 24" RCP IS USED, PIPE SPIGOT MUST BE INSTALLED IN GROUT HOLE  
31" DIA IS MAX HOLE SIZE



**PLAN VIEW**



**FRONT VIEW**

**SECTION VIEW**



"NPCA" CERTIFIED PLANT  
16700 SIMA GRAY RD, HENRYVILLE, IN 47126  
Phone: (812) 246-6258 Fax: (812) 294-4862

**SPECIFICATIONS**

CONCRETE: 4500 PSI @ 28 DAYS  
REINFORCEMENT: ASTM A-615, GR 60

WEIGHT: SEE CHART

**"CREEKSTONE"  
HEADWALL  
12" - 24" PIPE**

DATE: 10-12-16

DWG #HW-CS-12